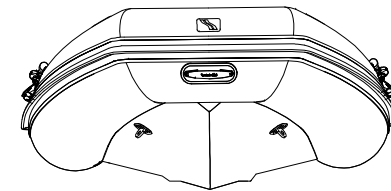
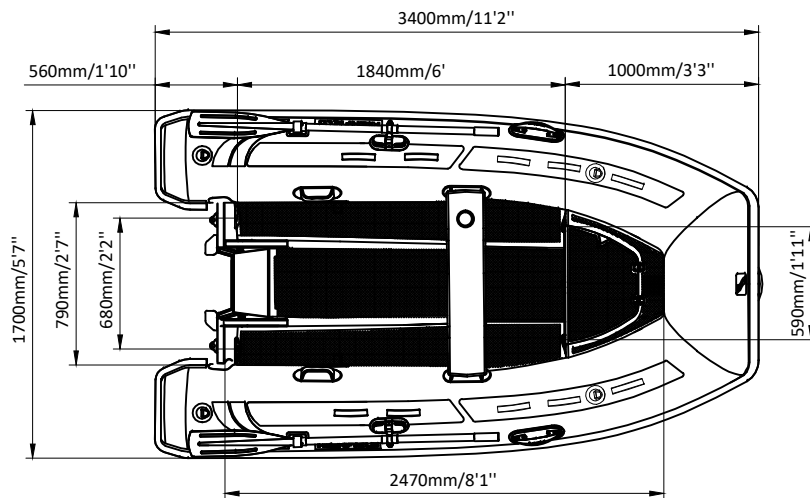
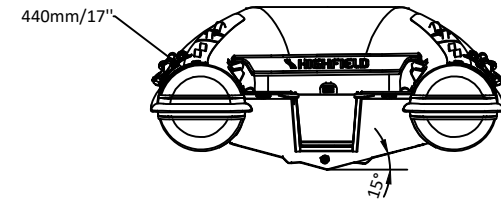
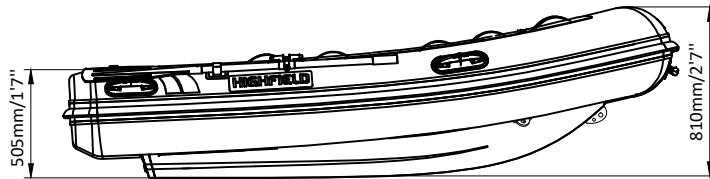


CLASSIC 340 FT

(Folding Transom)

SPECIFICATIONS



SPECIFICATIONS AND MAXIMUM CAPACITIES (Subject to change without notice. Tolerances: dimensions $\pm 2.5\%$, weights $\pm 5\%$) Note: red means lifting eyes.

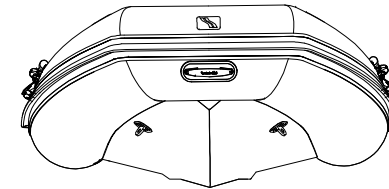
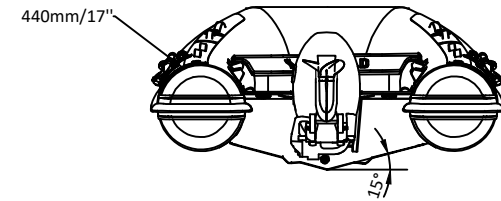
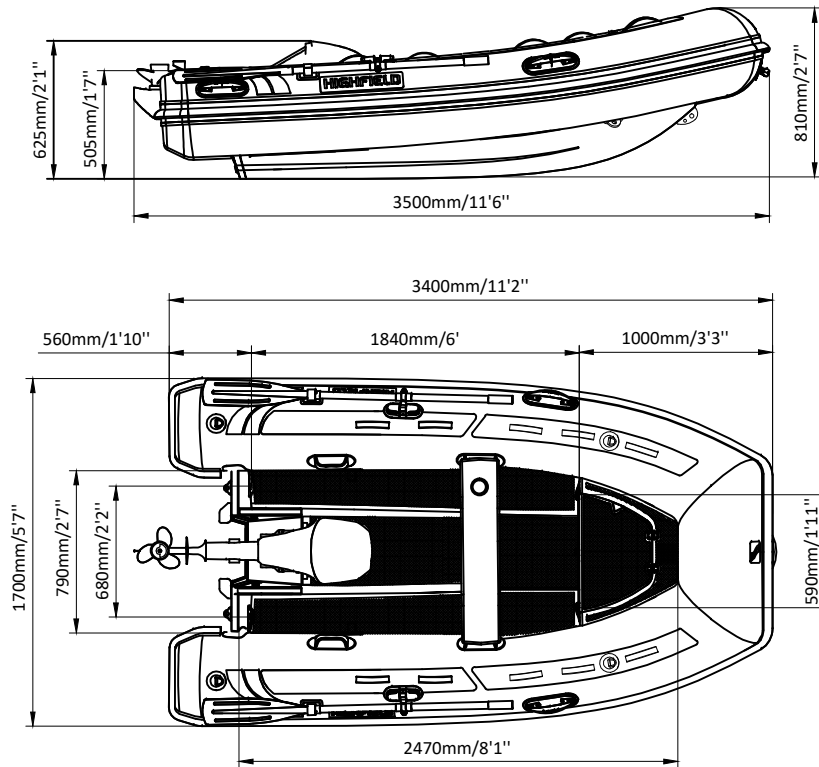
MODEL	ISO 6185 PART	ISO 6185						 Outboard Engine	 Molded seat				Oars		/		Fuel tank Capacity		Wet Weight (Approximate) 20HP (14.92KW)		AIR CHAMBERS						
			KG	LB	#	KG	LB		Shaft	Max power		Max weight		KG	LB	KG	LB	/	/	L		GAL	KG	LB	PSI	BAR	
CL340FT	3	C	551	1215	6	450	992	S	18.65	25	104.5	230	71	157	3	6.6	1.5	3.3	/	/	/	/	180	397	3	3.63	0.25

Weight: boat only.

CLASSIC 340 FT

(Folding Transom)

SPECIFICATIONS



SPECIFICATIONS AND MAXIMUM CAPACITIES (Subject to change without notice. Tolerances: dimensions $\pm 2.5\%$, weights $\pm 5\%$) Note: red means lifting eyes.

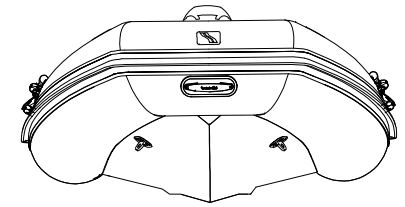
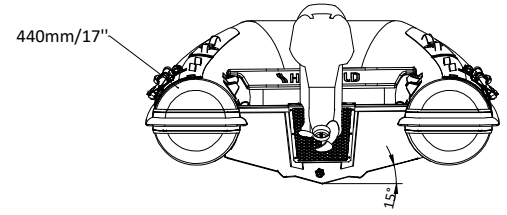
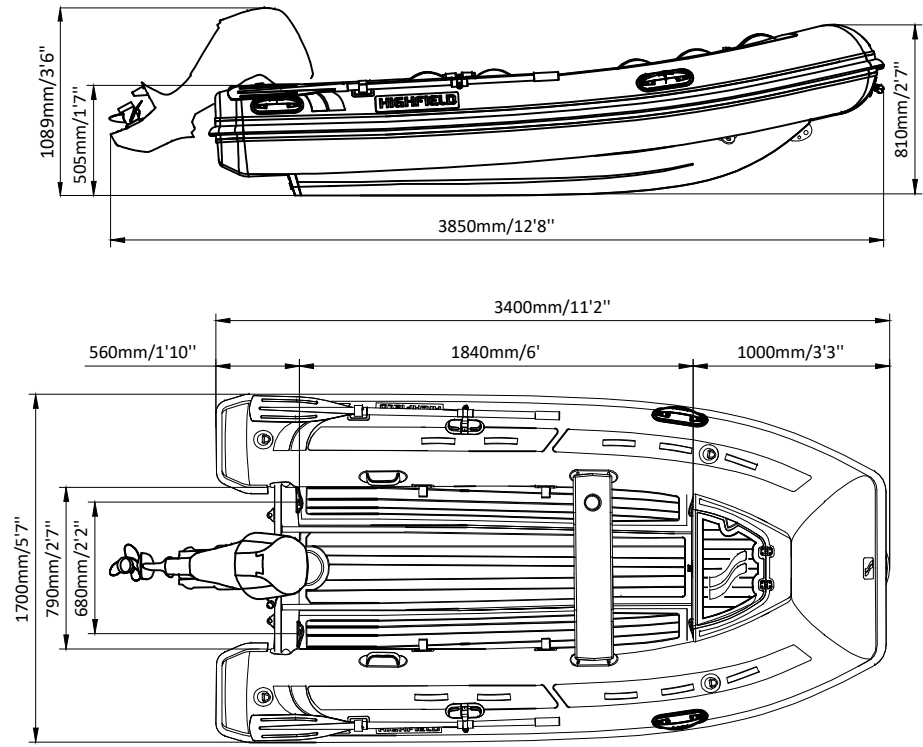
MODEL	ISO 6185 PART	ISO 6185			#			Shaft	Outboard Engine				Molded seat		Oars		/		Fuel tank Capacity		Wet Weight (Approximate) 20HP (14.92KW)		AIR CHAMBERS				
			KG	LB		KG	LB		KW	HP	KG	LB	KG	LB	/	/	L	GAL	KG	LB	PSI	BAR					
CL340FT	3	C	551	1215	6	450	992	S	18.65	25	104.5	230	71	157	3	6.6	1.5	3.3	/	/	/	/	180	397	3	3.63	0.25

Weight: boat only.

CLASSIC 340

(Short Shaft)

SPECIFICATIONS



SPECIFICATIONS AND MAXIMUM CAPACITIES (Subject to change without notice. Tolerances: dimensions ±2.5%, weights ±5%) Note: red means lifting eyes.

MODEL	ISO 6185 PART	ISO 6185	Person			Person		Outboard Engine				Molded seat		Oars		/		Fuel tank Capacity		Wet Weight (Approximate) 20HP (14.92KW)		AIR CHAMBERS	Pressure				
			KG	LB	#	KG	LB	Shaft	Max power		Max weight		KG	LB	KG	LB	/	/	L	GAL	KG		LB	PSI	BAR		
									KW	HP	KG	LB															
CL340	3	C	551	1215	6	450	992	S	18.65	25	104.5	230	71	157	3	6.6	1.5	3.3	/	/	/	/	180	397	3	3.63	0.25

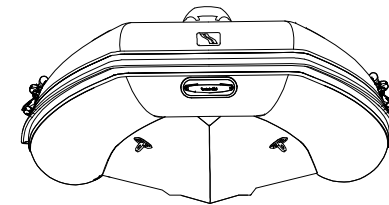
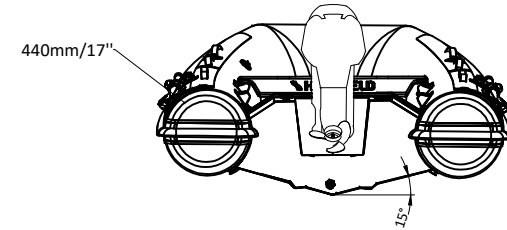
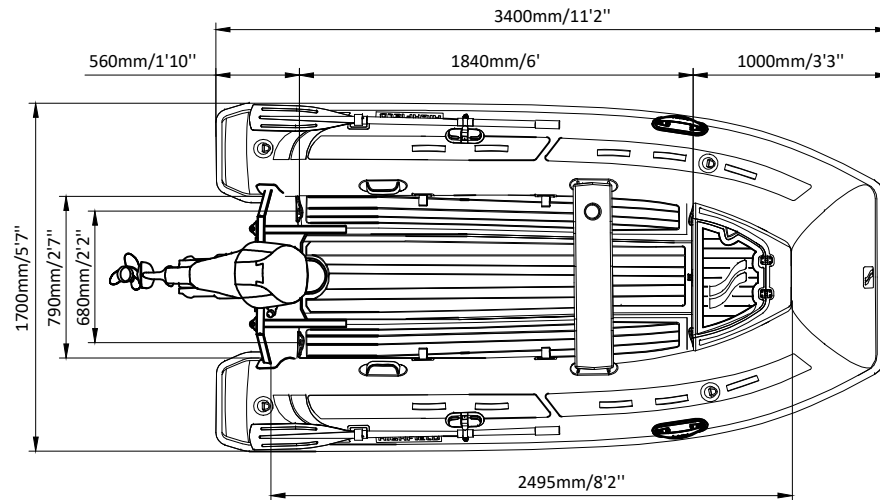
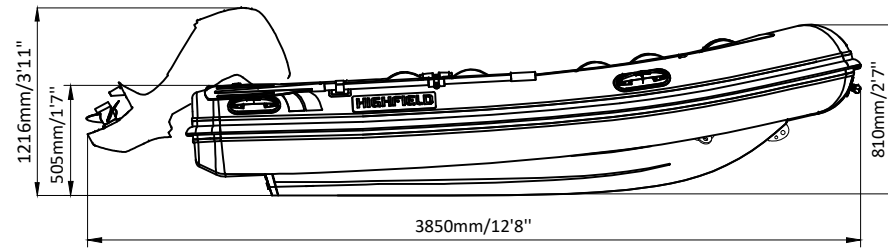
Weight: boat only.

2021V12

CLASSIC 340 LS

(Long Shaft)

SPECIFICATIONS



SPECIFICATIONS AND MAXIMUM CAPACITIES (Subject to change without notice. Tolerances: dimensions $\pm 2.5\%$, weights $\pm 5\%$) Note: red means lifting eyes.

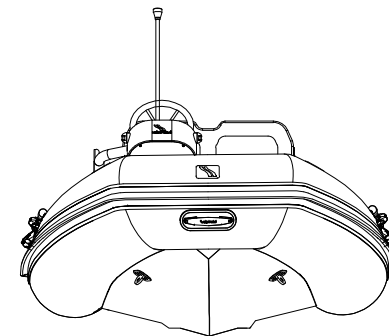
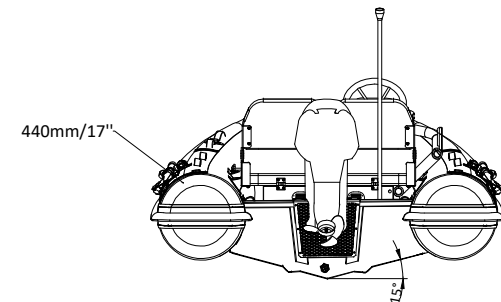
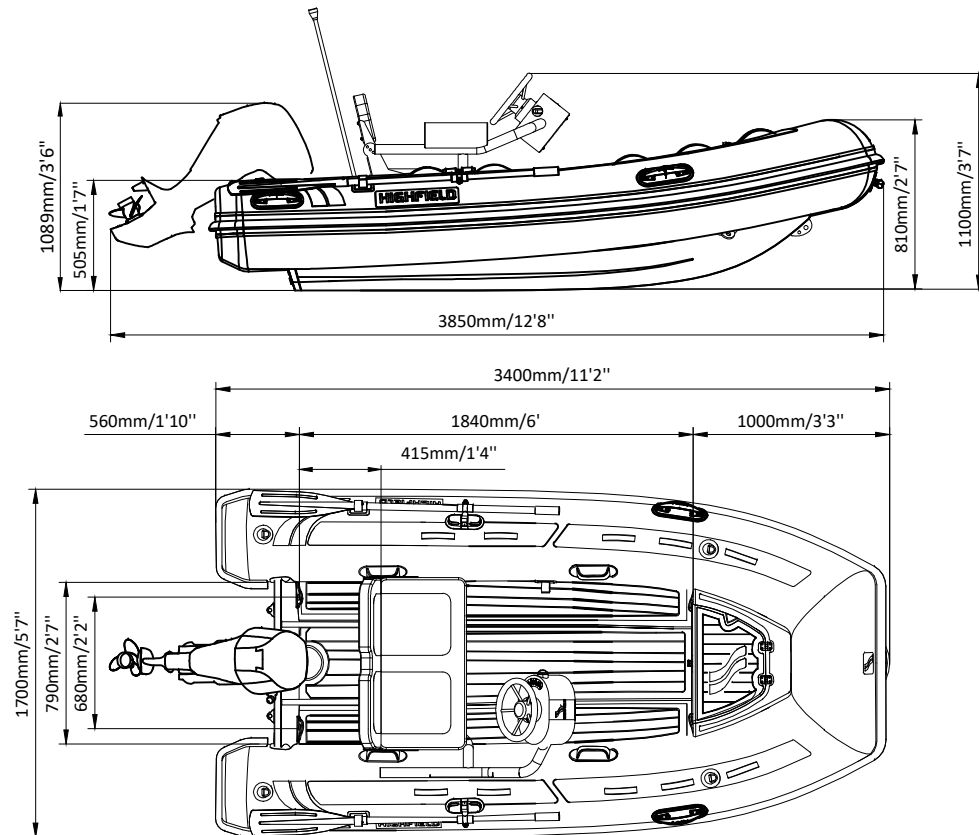
MODEL	ISO 6185 PART	ISO 6185						 Outboard Engine			Oars		/		Fuel tank Capacity		 Wet Weight (Approximate) 20HP (14.92KW)		 AIR CHAMBERS								
			KG	LB	#	KG	LB		Shaft	Max power		Max weight		KG	LB	KG	LB	/		/	L	GAL	KG	LB	PSI	BAR	
										KW	HP	KG	LB														/
CL340 LS	3	C	551	1215	6	450	992	L	18.65	25	104.5	230	71	157	3	6.6	1.5	3.3	/	/	/	/	180	397	3	3.63	0.25

Weight: boat only.

CLASSIC 340

(Short Shaft)

SPECIFICATIONS



SPECIFICATIONS AND MAXIMUM CAPACITIES (Subject to change without notice. Tolerances: dimensions $\pm 2.5\%$, weights $\pm 5\%$) Note: red means lifting eyes.

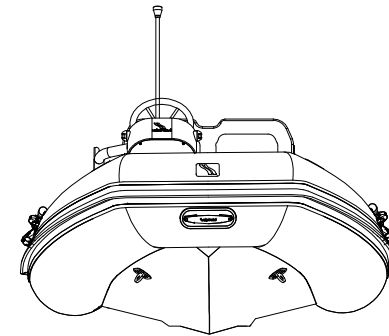
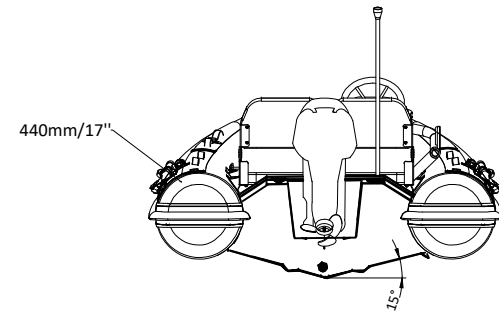
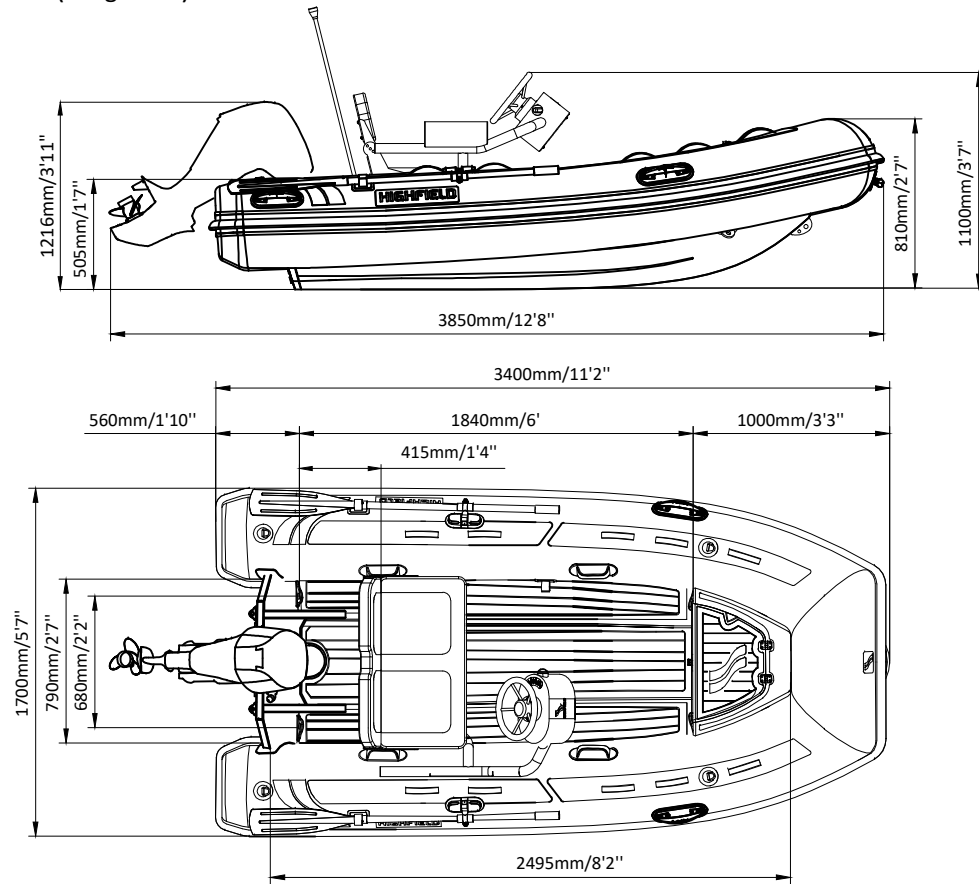
MODEL	ISO 6185 PART	ISO 6185					Outboard Engine				FCT		Molded seat		Oars		Fuel tank Capacity		Wet Weight (Approximate) 20HP (14.92KW)		AIR CHAMBERS 						
			KG	LB	#	KG	LB	Shaft	Max power		Max weight		KG	LB	KG	LB	L	GAL	KG	LB		PSI	BAR				
									KW	HP	KG	LB															
CL340	3	C	551	1215	6	450	992	S	18.65	25	104.5	230	71	157	36	79	3	6.6	1.5	3.3	/	/	216	476	3	3.63	0.25

Weight: boat only.

CLASSIC 340 LS

(Long Shaft)

SPECIFICATIONS



SPECIFICATIONS AND MAXIMUM CAPACITIES (Subject to change without notice. Tolerances: dimensions ±2.5%, weights ±5%) Note: red means lifting eyes.

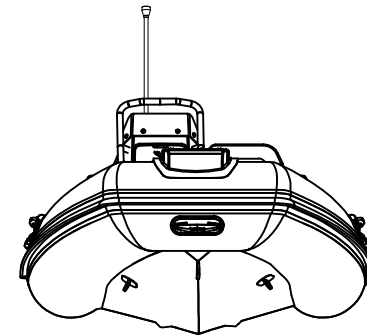
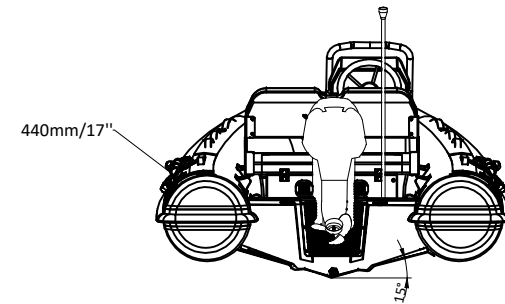
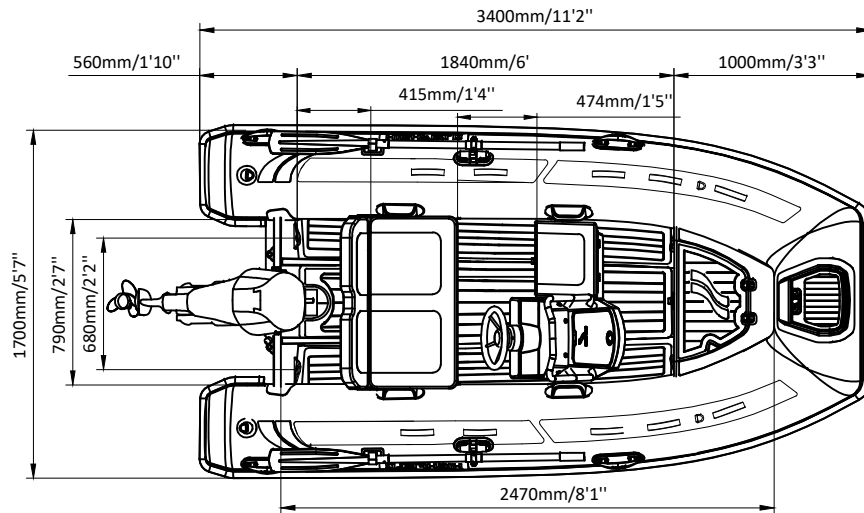
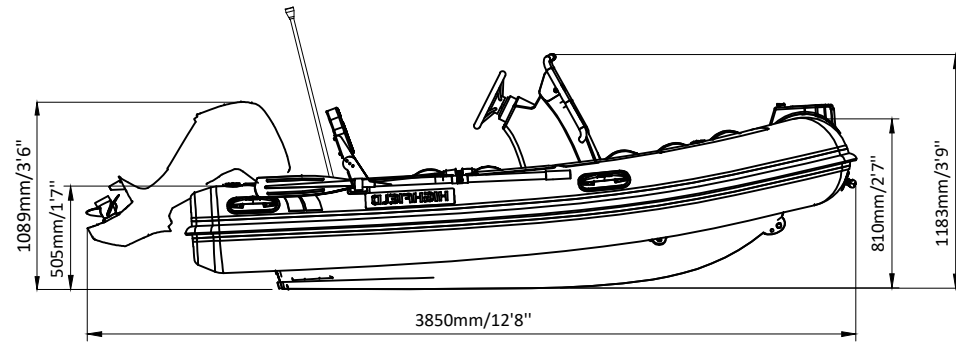
MODEL	ISO 6185 PART	ISO 6185					Outboard Engine				FCT		Molded seat		Oars		Fuel tank Capacity		Wet Weight (Approximate) 20HP (14.92KW)		AIR CHAMBERS						
			KG	LB	#	KG	LB	Shaft	Max power		Max weight		KG	LB	KG	LB	L	GAL	KG	LB		PSI	BAR				
									KW	HP	KG	LB															
CL340 LS	3	C	551	1215	6	450	992	L	18.65	25	104.5	230	71	157	36	79	3	6.6	1.5	3.3	/	/	216	476	3	3.63	0.25

Weight: boat only.

CLASSIC 340

(Short Shaft)

SPECIFICATIONS



SPECIFICATIONS AND MAXIMUM CAPACITIES (Subject to change without notice. Tolerances: dimensions $\pm 2.5\%$, weights $\pm 5\%$) Note: red means lifting eyes.

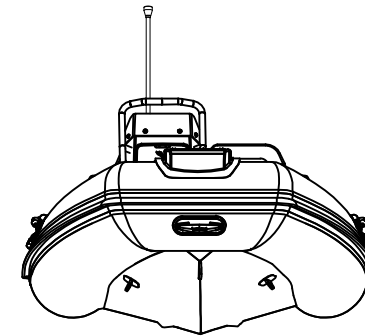
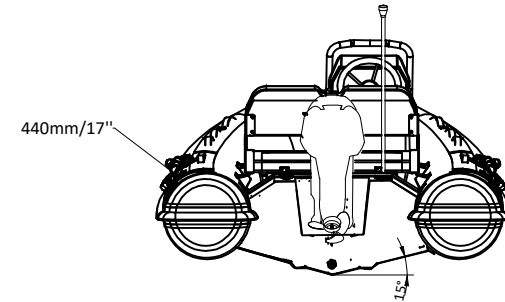
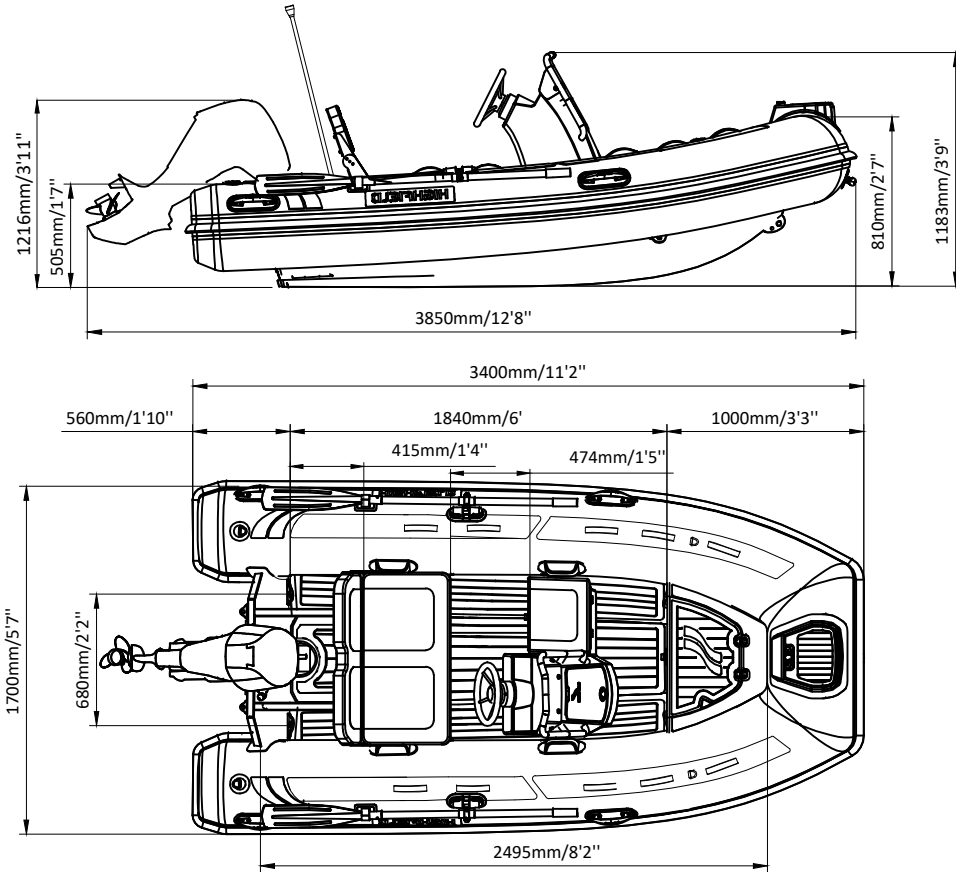
MODEL	ISO 6185 PART	ISO 6185					 Outboard Engine				 GT CONSOLE		 RS7		 Oars		 Fuel tank Capacity		 Wet Weight (Approximate) 20HP (14.92KW)		 AIR CHAMBERS						
			KG	LB			#	KG	LB	Shaft	Max power		Max weight		KG	LB	KG	LB	KG	LB		L	GAL	KG	LB	PSI	BAR
											KW	HP	KG	LB													
CL340	3	C	551	1215	6	450	992	S	18.65	25	104.5	230	71	157	25.5	56	20.3	44.8	1.5	3.3	/	/	222.8	491	3	3.63	0.25

Weight: boat only.

CLASSIC 340 LS

(Long Shaft)

SPECIFICATIONS



SPECIFICATIONS AND MAXIMUM CAPACITIES (Subject to change without notice. Tolerances: dimensions $\pm 2.5\%$, weights $\pm 5\%$) Note: red means lifting eyes.

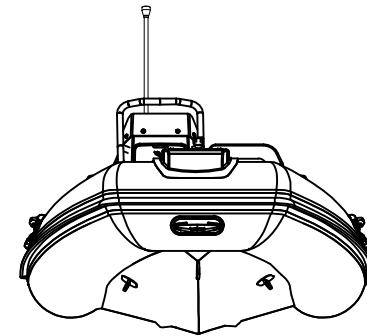
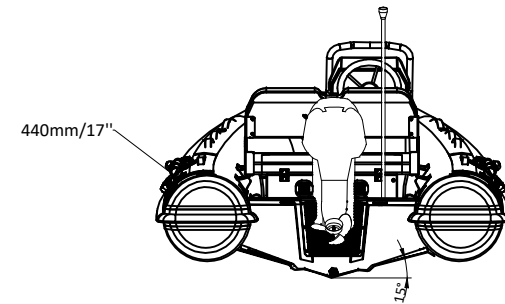
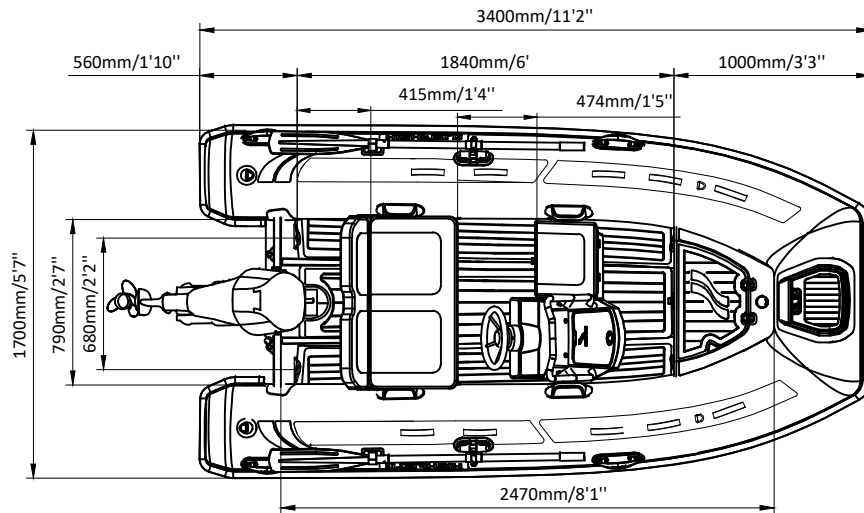
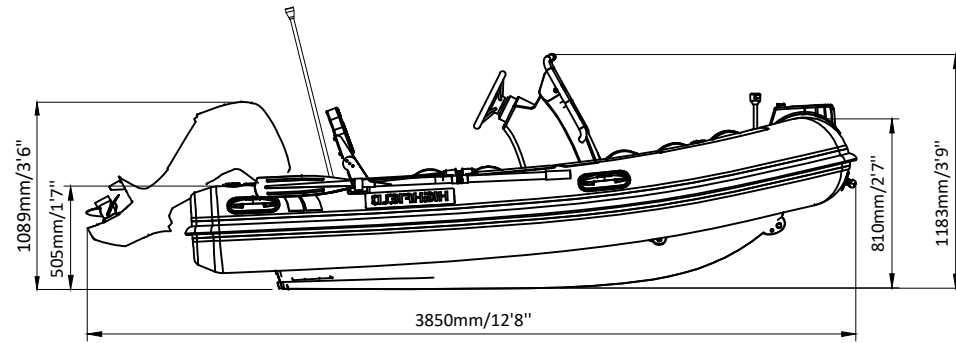
MODEL	ISO 6185 PART	ISO 6185					Outboard Engine				GT CONSOLE		RS7		Oars		Fuel tank Capacity		Wet Weight (Approximate) 20HP (14.92KW)		AIR CHAMBERS 						
			KG	LB	#	KG	LB	Shaft	Max power		Max weight		KG	LB	KG	LB	KG	LB	L	GAL		KG	LB	PSI	BAR		
									KW	HP	KG	LB															
CL340	3	C	551	1215	6	450	992	L	18.65	25	104.5	230	71	157	25.5	56	20.3	44.8	1.5	3.3	/	/	222.8	491	3	3.63	0.25

Weight: boat only.

CLASSIC 340

(Short Shaft)

SPECIFICATIONS



SPECIFICATIONS AND MAXIMUM CAPACITIES (Subject to change without notice. Tolerances: dimensions $\pm 2.5\%$, weights $\pm 5\%$) Note: red means lifting eyes.

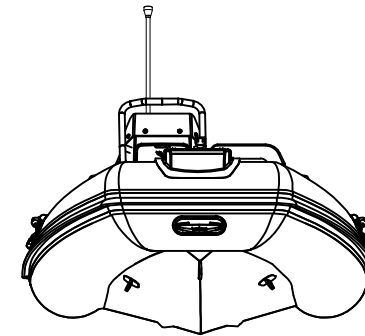
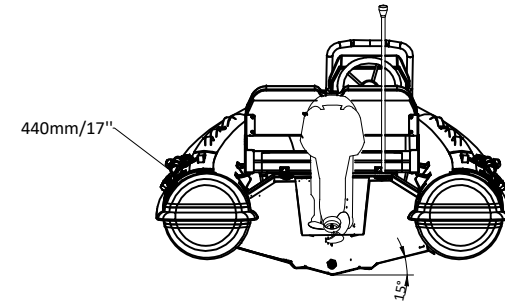
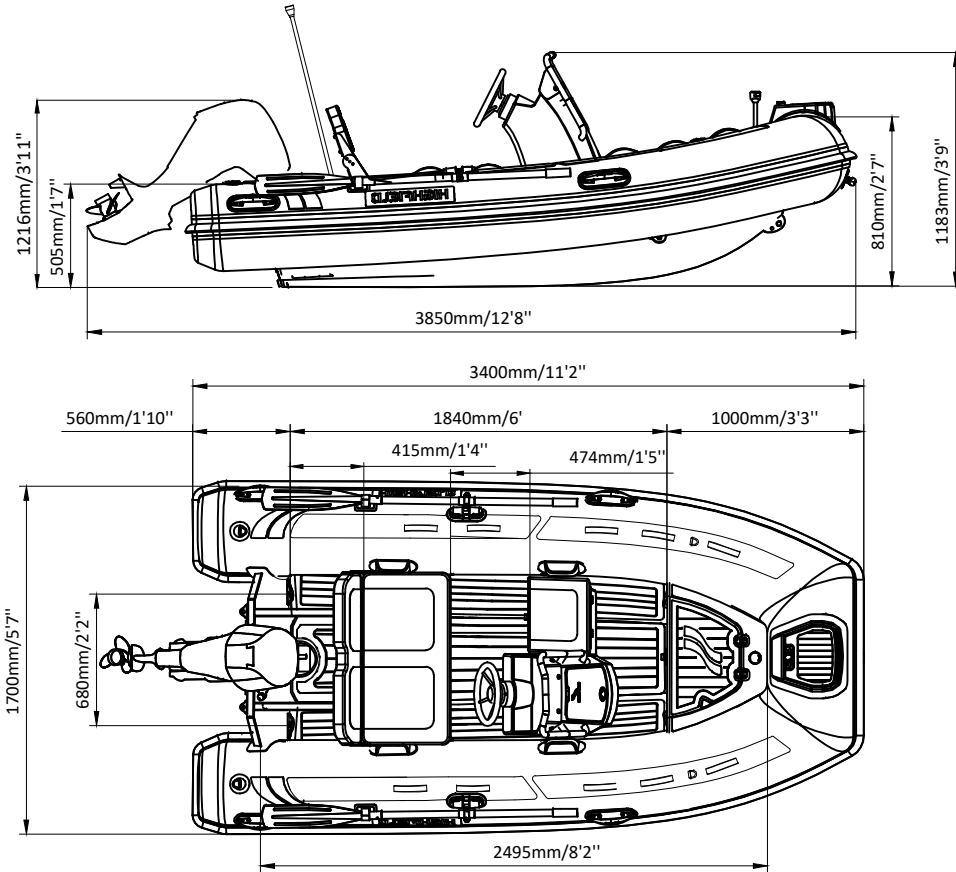
MODEL	ISO 6185 PART	ISO 6185	Person 1		Person 2		Outboard Engine				GT CONSOLE		RS7		Oars		Fuel tank Capacity		Wet Weight (Approximate) 20HP (14.92KW)		AIR CHAMBERS	Pressure					
			KG	LB	#	KG	LB	Shaft	Max power		Max weight		KG	LB	KG	LB	KG	LB	L	GAL		KG	LB	PSI	BAR		
									KW	HP	KG	LB															
CL340	3	C	551	1215	6	450	992	S	18.65	25	104.5	230	71	157	25.5	56	20.3	44.8	1.5	3.3	/	/	222.8	491	3	3.63	0.25

Weight: boat only.

CLASSIC 340 LS

(Long Shaft)

SPECIFICATIONS



SPECIFICATIONS AND MAXIMUM CAPACITIES (Subject to change without notice. Tolerances: dimensions ±2.5%, weights ±5%) Note: red means lifting eyes.

MODEL	ISO 6185 PART	ISO 6185	Person 1		Person 2		Outboard Engine				GT CONSOLE		RS7		Oars		Fuel tank Capacity		Wet Weight (Approximate) 20HP (14.92KW)		AIR CHAMBERS	Pressure					
			KG	LB	#	KG	LB	Shaft	Max power		Max weight		KG	LB	KG	LB	KG	LB	L	GAL		KG	LB	PSI	BAR		
									KW	HP	KG	LB															
CL340	3	C	551	1215	6	450	992	L	18.65	25	104.5	230	71	157	25.5	56	20.3	44.8	1.5	3.3	/	/	222.8	491	3	3.63	0.25

Weight: boat only.